

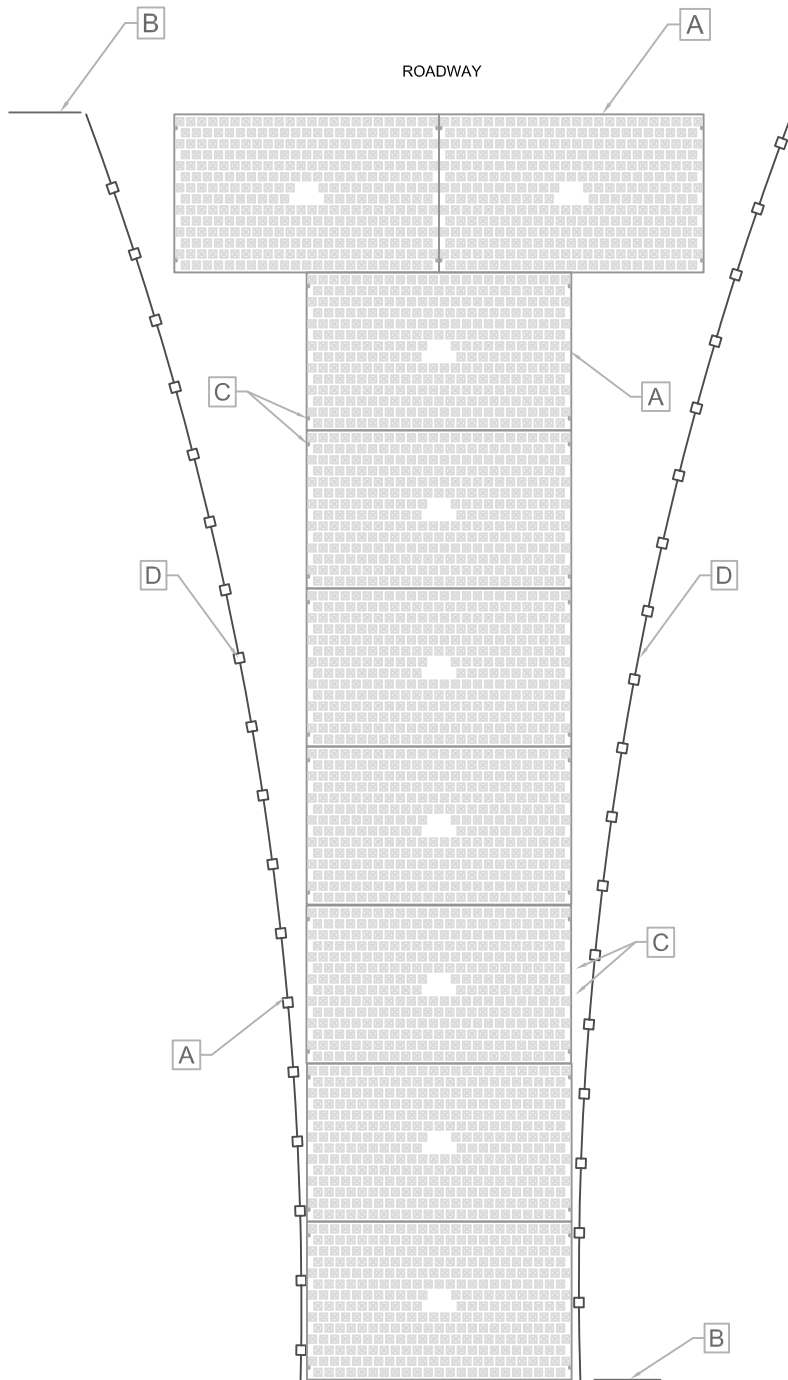
FODS TRACKOUT CONTROL SYSTEM INSTALLATION GUIDE



THE PURPOSE AND DESIGN OF THE FODS TRACKOUT CONTROL SYSTEM IS TO EFFECTIVELY REMOVE MOST SEDIMENT FROM VEHICLE TIRES AS THEY EXIT A DISTURBED LAND AREA ONTO A PAVED STREET. THIS MANUAL IS A PLATFORM FROM WHICH TO INSTALL A FODS TRACKOUT CONTROL SYSTEM. (NOTE: THIS IS NOT A ONE SIZE FITS ALL GUIDE.) THE INSTALLATION MAY NEED TO BE MODIFIED TO MEET THE EXISTING CONDITIONS, EXPECTATIONS, OR DEMANDS OF A PARTICULAR SITE. THIS IS A GUIDELINE. ULTIMATELY THE FODS TRACKOUT CONTROL SYSTEM SHOULD BE INSTALLED SAFELY WITH PROPER ANCHORING AND SIGNS PLACED AT THE ENTRANCE AND EXIT TO CAUTION USERS AND OTHERS.

KEY NOTES:

- A. FODS TRACKOUT CONTROL SYSTEM MAT.
- B. FODS SAFETY SIGN.
- C. ANCHOR POINT.
- D. SILT OR ORANGE CONSTRUCTION FENCE.



INSTALLATION:

1. THE SITE WHERE THE FODS TRACKOUT CONTROL SYSTEM IS TO BE PLACED SHOULD CORRESPOND TO BEST MANAGEMENT PRACTICES AS MUCH AS POSSIBLE. THE SITE WHERE FODS TRACKOUT CONTROL SYSTEM IS PLACED SHOULD ALSO MEET OR EXCEED THE LOCAL JURISDICTION OR STORM WATER POLLUTION PREVENTION PLAN (SWPPP) REQUIREMENTS.
2. CALL FOR UTILITY LOCATES 3 BUSINESS DAYS IN ADVANCE OF THE OF FODS TRACKOUT CONTROL SYSTEM INSTALLATION FOR THE MARKING OF UNDERGROUND UTILITIES. CALL THE UTILITY NOTIFICATION CENTER AT 811.
3. ONCE THE SITE IS ESTABLISHED WHERE FODS TRACKOUT CONTROL SYSTEM IS TO BE PLACED, ANY EXCESSIVE UNEVEN TERRAIN SHOULD BE LEVELED OUT OR REMOVED SUCH AS LARGE ROCKS, LANDSCAPING MATERIALS, OR SUDDEN ABRUPT CHANGES IN ELEVATION.
4. THE INDIVIDUAL MATS CAN START TO BE PLACED INTO POSITION. THE FIRST MAT SHOULD BE PLACED NEXT TO THE CLOSEST POINT OF EGRESS. THIS WILL ENSURE THAT THE VEHICLE WILL EXIT STRAIGHT FROM THE SITE ONTO THE PAVED SURFACE.
8. AFTER THE FIRST MAT IS PLACED DOWN IN THE PROPER LOCATION, MATS SHOULD BE ANCHORED TO PREVENT THE POTENTIAL MOVEMENT WHILE THE ADJOINING MATS ARE INSTALLED. ANCHORS SHOULD BE PLACED AT EVERY ANCHOR POINT (IF FEASIBLE) TO HELP MAINTAIN THE MAT IN ITS CURRENT POSITION.
9. AFTER THE FIRST MAT IS ANCHORED IN ITS PROPER PLACE, AN H BRACKET SHOULD BE PLACED AT THE END OF THE FIRST MAT BEFORE ANOTHER MAT IS PLACED ADJACENT TO THE FIRST MAT.
10. ONCE THE SECOND MAT IS PLACED ADJACENT TO THE FIRST MAT, MAKE SURE THE H BRACKET IS CORRECTLY SITUATED BETWEEN THE TWO MATS, AND SLIDE MATS TOGETHER.
11. NEXT THE CONNECTOR STRAPS SHOULD BE INSTALLED TO CONNECT THE TWO MATS TOGETHER.
12. UPON PLACEMENT OF EACH NEW MAT IN THE SYSTEM, THAT MAT SHOULD BE ANCHORED AT EVERY ANCHOR POINT TO HELP STABILIZE THE MAT AND ENSURE THE SYSTEM IS CONTINUOUS WITH NO GAPS IN BETWEEN THE MATS.
13. SUCCESSIVE MATS CAN THEN BE PLACED TO CREATE THE FODS TRACKOUT CONTROL SYSTEM REPEATING THE ABOVE STEPS.

USE AND MAINTENANCE

1. VEHICLES SHOULD TRAVEL DOWN THE LENGTH OF THE TRACKOUT CONTROL SYSTEM AND NOT CUT ACROSS THE MATS.
2. DRIVERS SHOULD TURN THE WHEEL OF THEIR VEHICLES SUCH THAT THE VEHICLE WILL MAKE A SHALLOW S-TURN ROUTE DOWN THE LENGTH OF THE FODS TRACKOUT CONTROL SYSTEM.
3. MATS SHOULD BE CLEANED ONCE THE VOIDS BETWEEN THE PYRAMIDS BECOME FULL OF SEDIMENT. TYPICALLY THIS WILL NEED TO BE PERFORMED WITHIN TWO WEEKS AFTER A STORM EVENT. BRUSHING IS THE PREFERRED METHOD OF CLEANING, EITHER MANUALLY OR MECHANICALLY.
4. THE USE OF ICE MELT, ROCK SALT, SNOW MELT, DE-ICER, ETC. SHOULD BE UTILIZED AS NECESSARY DURING THE WINTER MONTHS AND AFTER A SNOW EVENT TO PREVENT ICE BUILDUP.

REMOVAL

1. REMOVAL OF FODS TRACKOUT CONTROL SYSTEM IS REVERSE ORDER OF INSTALLATION.
2. STARTING WITH THE LAST MAT, THE MAT THAT IS PLACED AT THE INNERMOST POINT OF THE SITE OR THE MAT FURTHEST FROM THE EXIT OR PAVED SURFACE SHOULD BE REMOVED FIRST.
3. THE ANCHORS SHOULD BE REMOVED.
4. THE CONNECTOR STRAPS SHOULD BE UNBOLTED AT ALL LOCATIONS IN THE FODS TRACKOUT CONTROL SYSTEM.
5. STARTING WITH THE LAST MAT IN THE SYSTEM, EACH SUCCESSIVE MAT SHOULD THEN BE MOVED AND STACKED FOR LOADING BY FORKLIFT OR EXCAVATOR ONTO A TRUCK FOR REMOVAL FROM THE SITE.

TYPICAL ONE-LANE LAYOUT